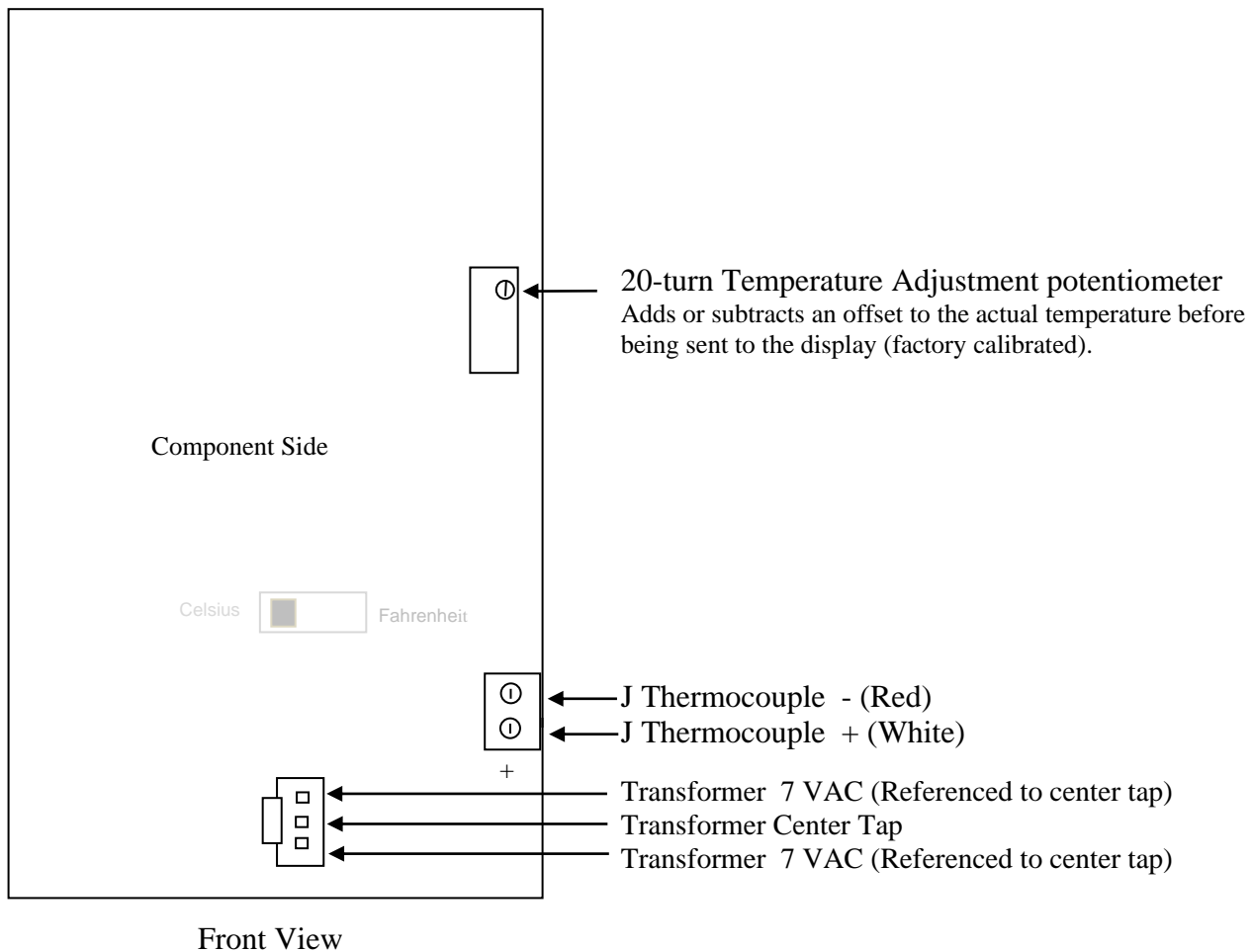


CTI Oven Temperature Display



Installation Instructions

1. With oven powered off, install the new temperature board per diagram above.
2. Connect **J Thermocouple** probe. Note: red is negative.
3. Connect three pin power connector (low voltage AC) to board.
4. For international boards with Celsius option: Set display switch to either Fahrenheit or Celsius
5. Power oven on.
6. Display will read 'LLL' while the oven temperature is equal or below the ambient room temperature

***Troubleshooting :** Most temperature problems are caused from thermocouple wiring errors. Note the thermocouple red wire is negative and the white wire is positive. Use only J type thermocouples (red and white leads).